

Pneumatic tightener Profi 4800Nm



Instructions for use Translation of the original instructions

KEEP THIS MANUAL

This document contains safety and operating instructions and warranty information.

Keep the document together with the proof of purchase in a dry place.



WARNING: Before using the unit, read this manual and follow the instructions for safe operation of the unit.

IMPORTANCE:

After purchasing the appliance, read this manual and follow the instructions for safe operation of the appliance. Keep this document for future reference.

Important safety information

- Keep all instructions

WARNING! Improper operation and maintenance of this product can cause serious injury or property damage. Read this manual and all safety instructions before operating the equipment.

Observe all rules and regulations regarding the use of the equipment in the workshop or on the workplace with the equipment.

NOTE	Before each use of the unit, check the air hoses, unit and accessories for damage. Do not use a damaged unit due to the risk of serious injury to the user.
WARNING	Do not exceed the rated operating pressure when operating the unit.
WARNING	Do not wear watches, earrings or loose clothing when working with the device.
WARNING	Do not replace accessories or perform any maintenance while the unit is connected to the air supply.
NOTE	Wear appropriate hearing and eye protection. Wear eye protection conforming to ANSI Z87.1
WARNING	Worn and damaged parts of the appliance must be replaced. Use only original spare parts. The use of other parts can be dangerous.
NOTE	Make sure the pressure supplied to the unit is correct and does not exceed 90 PSI.
WARNING	Keep the air hose away from sources of heat, grease, chemicals and sharp edges. Always check the air hose for damage before starting the machine. Make sure the hose is properly connected to the appliance. Use accessories that are designed for use with this appliance.
NOTE	Due to the possible presence of asbestos dust from brake linings, appropriate respiratory protection is recommended.
WARNING	Maintain a stable position when working with the device. Wear non-slip footwear.

WARNING	Children and other persons should stay away from the appliance's working area.
NOTE	DO NOT use the device for any purpose other than that for which it is intended. DO NOT use damaged or defective equipment. DO NOT use the instrument unless the user has been trained in the use of the instrument by a qualified person. DO NOT operate the device by holding the air hose.
WARNING	When not in use, the air hose should be disconnected and stored in a safe and dry place, out of the reach of children.
WARNING	Always make sure the machine is switched off before connecting the air hose.
WARNING	The unit must always be clean and lubricated. Daily lubrication is essential to protect against corrosion and possible damage.
WARNING	Do not overload the machine. Use the impact wrench at optimum speed for maximum performance.
WARNING	Do not increase the air pressure above the level specified by the manufacturer. Excessive pressure may cause damage to the equipment. Overloading the unit will cause excessive wear on the moving parts of the unit and damage to the unit.
WARNING	To ensure safety and to protect against possible damage to the appliance or danger to the user, always wait until the appliance has stopped before putting it away.

TECHNICAL DATA:

Size in inches 1"

Torque max. 4800 Nm Max. speed

3900 rpm Air connection 1/2"

Minimum hose diameter 13 mm Air pressure 8-10 kg/cm³

Operator

ATTENTION!

Read this information before use and observe all safety precautions.

ATTENTION!

Disconnect the air supply hose from the unit before replacing any parts of the unit - otherwise serious injury may result.

Speed control

The impact wrench must not be used to adjust the torque. Use a torque wrench to set the torque. When loosening the bolts, set the torque wrench to the maximum setting. Always use a torque wrench when tightening screws to achieve the correct screw torque.

WARNING!

When retightening, be careful not to overtighten the screw. Set the adjuster to the minimum setting and then tighten them with a torque wrench.

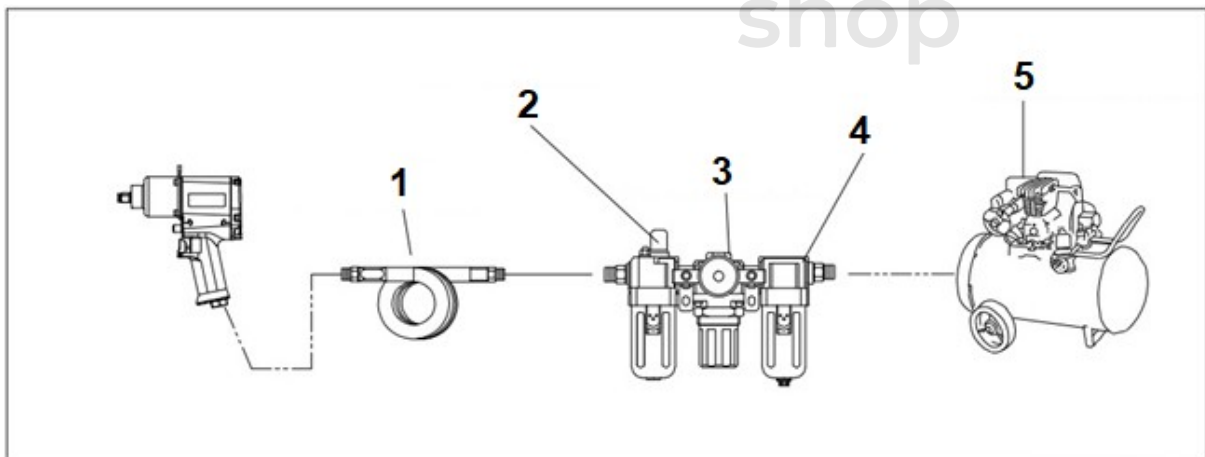
Setting up the unit

To unscrew the screw, push the forward/rearward button (on the top of the handle) to the rear position. To tighten the screw, slide the button forward. If the screws are screwed to the left, proceed in reverse order. Do not tighten the screw.

- 1 Use only sockets that are designed for use with impact wrenches. Fit the socket onto the appropriate screw.
 2. Connect the wrench to the air supply hose.
 3. Pull the trigger.
 4. To change the direction of rotation, press the button on the top of the handle. "R" - backwards, "F" - forwards.
 5. Adjust the air flow using the flow control valve.
 6. Make sure the air supply is clean and does not exceed 90 PSI. Excessively high air pressure and dirty air will shorten the life of the product and may cause damage or injury.
 7. Children should stay away from the equipment and work area away from the equipment. DO NOT use increased force to unscrew the nut.
- The appliance MUST NOT be left running for long periods of time as this will shorten its life.

Pro-Tech shop

Connection diagram



1. Hose 2 . Lubricator 3 . Regulator 4 . Filter 5 . Compressor

Maintenance

ATTENTION!

Disconnect the impact wrench from the air supply hose before changing attachments, servicing, or maintenance. Replace or repair damaged parts. Use only genuine parts. Use of other parts may be dangerous!

Re-lubricate the impact wrench daily by adding a few drops of oil to the air inlet of the machine.

2. Clean the unit after use. DO NOT use worn or damaged accessories.

3. Loss of power or improper function of the unit may be caused by:

(a) excessive condensation in the air system, moisture or blockage in the air system, use of the wrong size or type of hose coupling. Check the air supply to resolve the problem.

b) Debris (rubber or otherwise) can also affect the performance of the unit. If your appliance model is equipped with an air filter, remove and clean it.

When the unit is not in use, disconnect the air supply and disconnect the hose. Then clean the appliance and store it in a safe and dry place out of the reach of children.

Storage

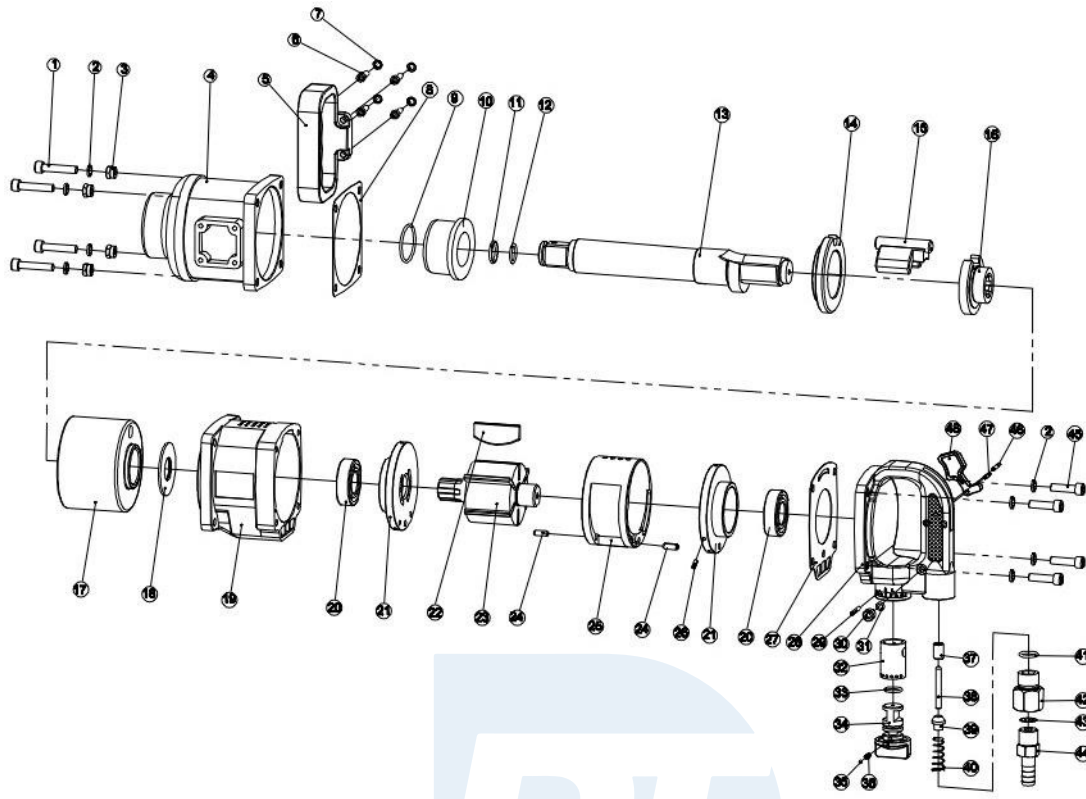
The appliance must be lubricated before prolonged storage. Do not lubricate the appliance motor too often. NOTE !

Before lubrication, disconnect the air supply hose from the unit.

Environmental protection



Electrical products must not be disposed of with household waste. They must be disposed of in designated recycling facilities. For information on how to dispose of electrical appliances, contact your local authority.



Pro-Tech
shop